

**M12 male 0° / M12 female 0° shielded**

RADOX EM 104 4x0.5 shielded bk 10m

Male straight – female straight

M12 – M12, 4-pole

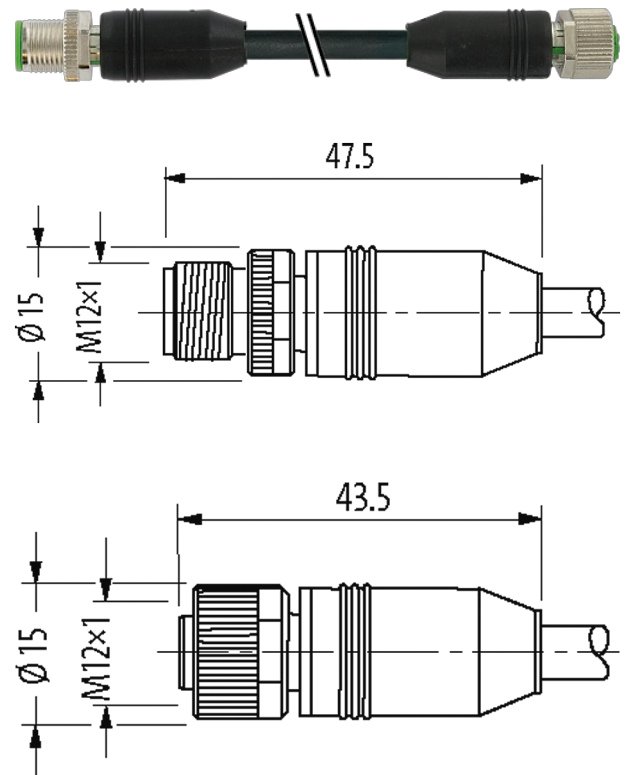
shielded

with cable sleeves

Plastic housings with good resistance against chemicals and oils.

The resistance to aggressive media should be individually tested for your application. Further details on request.

Further cable lengths on request.

**[Link to Product](#)****Illustration**

Product may differ from Image

**Form**

Form 40501

**General data**

Standards	DIN EN 61076-2-101 (M12)
Mounting method	inserted, tightened
Pollution Degree	3
Temperature range	-25...+85 °C, depending on cable quality

**Cables**

Cable identification	R13
Approval (cable)	DIN EN 45545-2, CE conform
Cable weight [g/m]	67,10
Material (wire)	Cu wire, tin plated

Resistor (core)	max. 40.1 $\Omega$ /km (20 °C)
Single wire $\varnothing$ (core)	0.18 mm
Construction (core)	19 $\times$ 0.18 mm
Diameter (core)	4 $\times$ 0.5 mm <sup>2</sup>
AWG	similar to AWG 20
Material (wire isolation)	Radox EI 303
Wire- $\varnothing$ incl. isolation	1.42 mm $\pm$ 5%
Color/numbering of wires	wh (bk num)
Stranding combination	4 wires twisted
Shield	yes
Shield (Type)	Tinned wire mesh
Material (jacket)	Radox EM 104
Outer- $\varnothing$ (jacket)	5.4 mm $\pm$ 5%
Color (jacket)	black
Nominal voltage	600/1000 V AC
Test voltage	3500 V AC
Current load capacity	according to DIN VDE 0298-4
Temperature range (fixed)	-50...+120 °C
Bend radius (fixed)	3 $\times$ outer- $\varnothing$
Bend radius (moving)	4 $\times$ outer- $\varnothing$
Jacket Color	black

#### Technical Data

Operating voltage	max. 60 V AC/DC
Rated surge voltage	1.5 kV
Operating current per contact	max. 4 A
No. of poles	4
Material group	IEC 60664-1, category I
Coding	A-coded
LED display	no
Locking of ports	Screw thread (M12 $\times$ 1 mm) recommended torque 0.6 Nm, self-securing
Compression gland	M12 (SW13)
Protection	IP65 and IP67 when plugged and screwed down (EN 60529)
Material	PUR
Locking material	Zinc die casting, matte nickel plated
suitable for corrugated tube (internal $\varnothing$ )	without

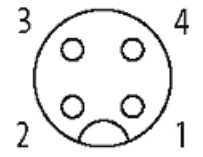
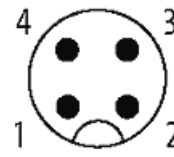
#### Commercial data

country of origin	DE
customs tariff number	85444290
EAN	4048879691215
eClass	27279218
Packaging unit	1

#### Sketch

Male

Female



Product may differ from Image